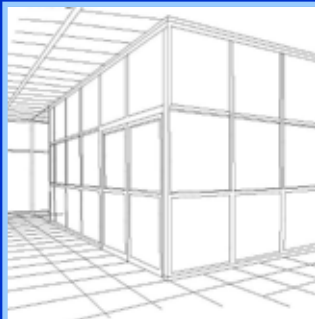


Cleanroom Ceiling Grid System

無塵室格柵天花板系列



諾司實業股份有限公司

North Enging. Corp.



OHSAS 18001 ISO 9001

Cleanroom Ceiling Grid System 無塵室格柵天花板系列



Cleanroom ceiling grid system is comprised of wide extruded aluminum that from a continuous gasket ledge to receive filters for Class 10 or better manufacturing environments. Ceiling grid system is walkable that person can walk on the ceiling grid, and provide acoust-effective And Straightforward solution for proper maintenance of cleanroom equipment and facility services. Furthermore, the slotted ceiling profile is ideal for hanging lights, piping, equipments and electrical components at ceiling level without obstructing the operation of a cleanroom. We offer a variety of planes , such as 600x1200mm, 750x1500mm, 1200x1200mm, and we also provide the order size to satisfy customer requirements. All of our ceiling grid system have passed variety of test such as FM,ASTM and CNS.

The series of ceiling grid system makes the installation easier and fast, so the construction could be completed in short term.

Furthermore. lay-out can be changed to fit a variety of product lines.

無塵室格柵天花板系統是由鋁擠型型材構成，模組型式結構提供用來支撐 Class10 甚至更高等級無塵環境使用的濾網。格柵天花板系統更提供足以支撐人員行走，為無塵室設備的定期維護以及工廠服務提供完整且具經濟效益的解決方案。此外，天花板的設計可支撐燈具、管路、設備、與電子組件，將它們安裝在天花板高度而不影響無塵室內產品生產之運作。

本公司提供多種尺寸的天花板，例如 600x1200mm、750x1500mm、1200x1200mm，我們更提供客製化尺寸來因應客戶不同的需求。

而我們的格柵天花板系統更通過了 FM，ASTM 與 CNS 等多項認證，在產品品質上做了最嚴格的把關。

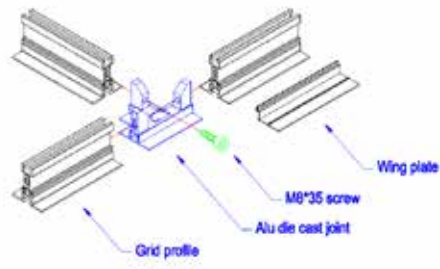
產品系列中的格柵天花板系統不僅使安裝工程更為簡單快速，更有效縮短工期。更重要的是無塵室的配置可隨設計變動來符合不同的生產需求。

General information:



- The aluminum rectangular ceiling grid may be walk on.
矩形的鋁合金格柵天花板荷重可承受人員行走於上方。
- Ceiling grid system is suit for both tear- drop and flush-mounted lights.
無塵室專用淚滴型燈具可直接安裝於 T-bar 上。
- Heavier loads must be secured by special measures.
特殊重量的負載必須是經過安全的經計算測量的。
- All the constructions tested according to CNS standard.
所有結構根據 CNS 標準且通過測試。
- All the materials are non-combustible and tested according to CNS standard.
所有材料根據 CNS 不燃材標準且通過測試。
- Ceiling grid special sizes on request.
我們也提供特殊尺寸製作的需求。

Modular T profile ceiling grid 8055 system (FM Approval) 模組式鋁擠型天花板

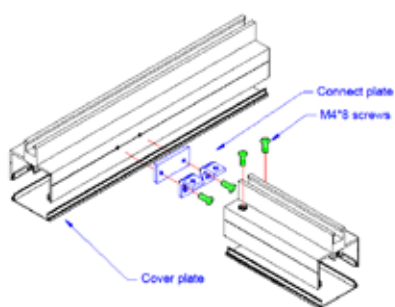


Aluminum ceiling profile and side plate



Assembling

Modular box profile ceiling grid 6565 system 模組式盒式天花板



Assembling of box ceiling



Fixing element



Penetration of sprinkle



諾司實業股份有限公司

North Engineering

新竹公司
Hsinchu

30841 新竹縣寶山鄉大崎村大坪路318號
No. 318, Daping Rd., Baoshan, Hsinchu
Tel : 03-577-9890 Fax : 03-577-9810

台中公司
Taichung

40763 台中市西屯區中科路1109-18號
No. 1109-18, Zhongke Rd., Xitun, Taichung
Tel : 04-2463-2322 Fax : 04-2463-6559

台南公司
Tainan

74180 台南市善化區陽明路57巷61號
No. 61, Ln. 57, Yangming Rd., Shanhu, Tainan
Tel : 06-581-0955 Fax : 06-581-0933