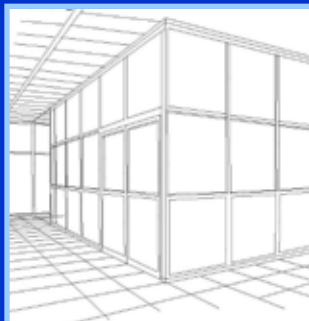


Cleanroom Partition Wall & Ceiling Grid

無塵室隔間與鋁擠型格柵天花板



諾司實業股份有限公司

North Enging. Corp.



OHSAS 18001 ISO 9001

無塵室隔間系統

Cleanroom Partition Wall System



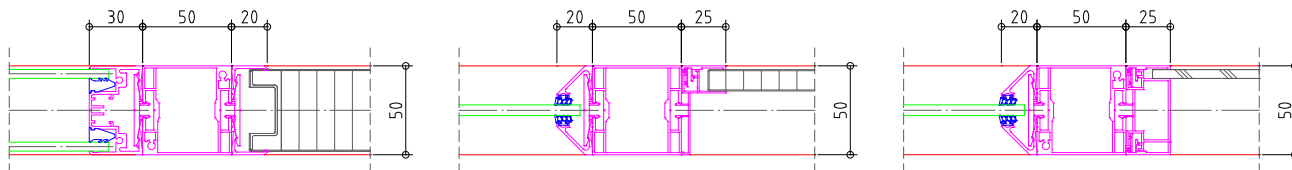
諾司深刻了解為因應無塵室多變的需求，技術面的重要性等同於環境控制，諾司的隔間系統可充分維持客戶無塵室的可變性。此外，本公司提供的隔間系統不僅在潔淨面佔相當的優勢，在結構設計上更具備當代競爭力，故我們可協助客戶將維修需要降至最低，並供應給客戶明亮潔淨的無塵室環境。

North understands the importance of controlling environments as well as the technicalities of cleanroom flexibility requirements.

Our partition system can keep customers cleanroom flexible, and they are clean and contemporary, so we can provide a bright and ultra-clean look with a minimum of maintenance.



North E6 Cleanroom Partition Wall



無塵室板材規格 / Cleanroom Partition Wall Infilling Specification

板材 Infilling	鋁蜂巢板 Aluminum Honey Comb	單面鋁蜂巢板 Single sided alu honey-comb	單層鋁複合板 Single Sided Alucoboard
圖示 Images			
厚度 Panel thickness	50 mm	50 mm	50 mm
標準板材寬度 Standard infilling width	1200 mm	1200 mm	1200 mm
標準板材高度 Standard infilling height	3600 mm	3600 mm	3600 mm
重量 Panel weight	10.8kg / m ²	10.0kg / m ²	7.0kg / m ²
表面材 Surface material	0.6 mm 滾塗導電鋼板 Coated conductive sheet steel	0.6 mm 滾塗導電鋼板 Coated conductive sheet steel	0.3 mm 滾塗導電鋼板 Coated conductive sheet steel
	0.6mm 不銹鋼板 0.6mm stainless sheet steel	0.6mm 不銹鋼板 0.6mm stainless sheet steel	0.3mm 不銹鋼板 0.3mm stainless sheet steel
導電塗層 Conductive coating	滾塗約 25um Coil coated approx. 25um	滾塗約 25um Coil coated approx. 25um	滾塗約 25um Coil coated approx. 25um

三明治板板材

Sandwich Panel Infilling

本公司的隔間系統設計有效的簡化安裝與被再安裝的施工手續，並因需求變更時可簡單且迅速地做移設施工而不需新增額外材料，更可大幅簡化施工廠商在安裝時的作業時間，減少現場工安。

Our partition systems are easily serviced or reconfigured.

Our system allow quick and easy replacement and simplifies the work of the contractor during installation.



三明治板板材規格 / Sandwich Panel Infilling Specification

板材系統 Panel system	PU 發泡板 PU Foam Panel	紙蜂巢板 Paper Honey-comb	鋁蜂巢板 Aluminum Honey-comb	岩棉板 Rock wool Panel
圖示 Image				
厚度 Panel thickness	50 mm	50 mm	50 mm	50 mm
標準寬度 Standard panel width	1200 mm	1200 mm	1200 mm	1200 mm
隔間板最大長度 Max length for wall panel	6000 mm	6000 mm	6000 mm	6000 mm
天花板最大長度 Max length for ceiling panel	2500 mm	2500 mm	2500 mm	2500 mm
重量 Panel weight	10.8kg / m ²	10.0kg / m ²	11.0kg / m ²	16.0kg / m ²
表面材 Surface material	0.6 mm 滾塗導電鋼板 Coated conductive sheet steel	0.6 mm 滾塗導電鋼板 Coated conductive sheet steel	0.6 mm 滾塗導電鋼板 Coated conductive sheet steel	0.6 mm 滾塗導電鋼板 Coated conductive sheet steel
	0.6mm 不銹鋼板 0.6mm stainless sheet steel	0.6mm 不銹鋼板 0.6mm stainless sheet steel	0.6mm 不銹鋼板 0.6mm stainless sheet steel	0.6mm 不銹鋼板 0.6mm stainless sheet steel
導電塗層 Conductive coating	滾塗約 25um Coil coated approx. 25um	滾塗約 25um Coil coated approx. 25um	滾塗約 25um Coil coated approx. 25um	滾塗約 25um Coil coated approx. 25um

North aluminum tubular door system



Double-leaf Door



Single Leaf Door



Folding Door



Automatic Sliding Door

Easy and fast for installation, Shorten the construction schedule

Cleanroom Aluminum Ceiling Grid 8055 System

無塵室鋁擠型格柵天花板系統



North ceiling grid system is comprised of 55mm wide extruded aluminum that form a continuous gasket ledge to receive filters for Class 10 or better manufacturing environments. Our ceiling grid is walkable that person can walk on the ceiling grid, and provide a cost-effective and straightforward solution for proper maintenance of cleanroom equipment and facility services.

Furthermore, the slotted T-profile is ideal for hanging lights, piping, equipment and electrical components at ceiling level without obstructing the operation of a cleanroom.

We offer a variety of grid dimension, such as 600X1200, 750X1500, 1200X1200, and we also provide the order size to satisfy customer requirements. All of our ceiling grid system have passed variety of test such as ASTM and CNS.

The North series of ceiling grid system makes the installation easier and fast, so the construction could be completed in short term.

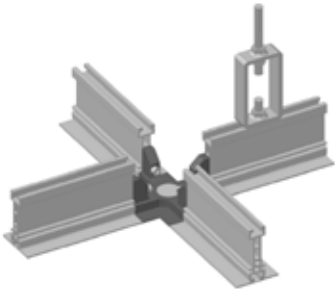
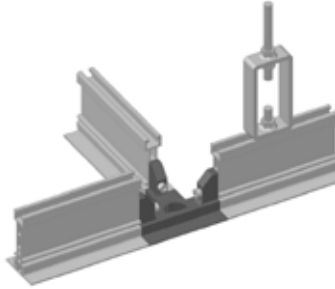
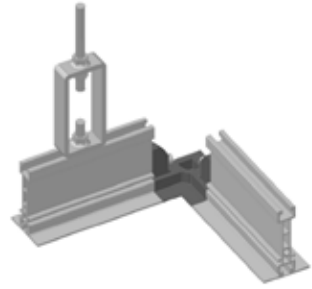
Furthermore, lay-out can be changed to fit a variety of product lines.



諾司鋁擠型格柵式天花板系統是由 55mm 寬的鋁擠構成，形成一道道的凸型骨架來支撐無塵等級在 10，甚至更高等級生產環境中所使用的濾網。我們的格柵式天花板系統強度設計上能符合施工或維修人員行走，為無塵室設備的定期維護保養以及工廠服務提供具完整且具經濟效益與工業安全的解決方案。此外，鋁擠型骨架設計上可支撐燈具、管路、設備與電子組件，將它們安裝在天花板高度而不影響無塵室之運作。

我們同時提供多種尺寸的鋁擠天花板系統，例如 600X1200、750X1500、1200X1200，更提供客製化尺寸來因應客戶不同需求。而我們的格柵式天花板系統更通過了 ASTM 與 CNS 等多項測試認證，在產品品質上做了最嚴格的把關。讓天花板系統不僅令安裝工程更為簡單快速，更可有效縮短工期。更重要的是無塵室的配置可根據需求而變動來符合不同的生產線的需求。

鋁擠型天花與接頭安裝 / Ceiling grid profile combined with different joint

十字接頭 Cross Joint	T 字接頭 Tee Joint	L 字接頭 Elbow Joint
		



諾司實業股份有限公司

North Engineering

新竹公司
Hsinchu

30841 新竹縣寶山鄉大崎村大坪路318號
No. 318, Daping Rd., Baoshan, Hsinchu
Tel : 03-577-9890 Fax : 03-577-9810

台中公司
Taichung

40763 台中市西屯區中科路1109-18號
No. 1109-18, Zhongke Rd., Xitun, Taichung
Tel : 04-2463-2322 Fax : 04-2463-6559

台南公司
Tainan

74180 台南市善化區陽明路57巷61號
No. 61, Ln. 57, Yangming Rd., Shanhua, Tainan
Tel : 06-581-0955 Fax : 06-581-0933